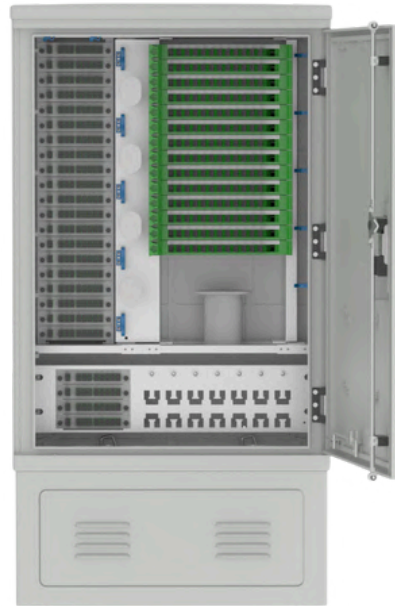


BK-FDG-III-A



DESCRIPTION

BenKa's BK-FDG-III-A Cabinet is designed to handle fiber optic cross connections and accommodate passive optical splitters in PON FTTx networks, but can also be used for by pass splicing applications or combinations of the both.

The FDG is used as a demarcation point between the feeder network and the distribution network and provides quick and easy incremental installation of distribution cable terminations and fiber optic splitters.

It has the functions of fiber cable fixation and protection, optical cable termination function, splitting one core fiber into multiple cores and cross connection.

BenKa's BK-FDG-III-A Cabinet is used for connecting, allocation and dispatching of communication optical cables to each optical distribution node, providing safe, reliable and flexible management equipment of optical fiber and cable for telecommunication network.

SPECIFICATION

- ✓ Anti-UV (Ultraviolet)
- ✓ Grounding device included
- ✓ Protection Class: IP65
- ✓ Flexible configuration changes

APPLICATIONS

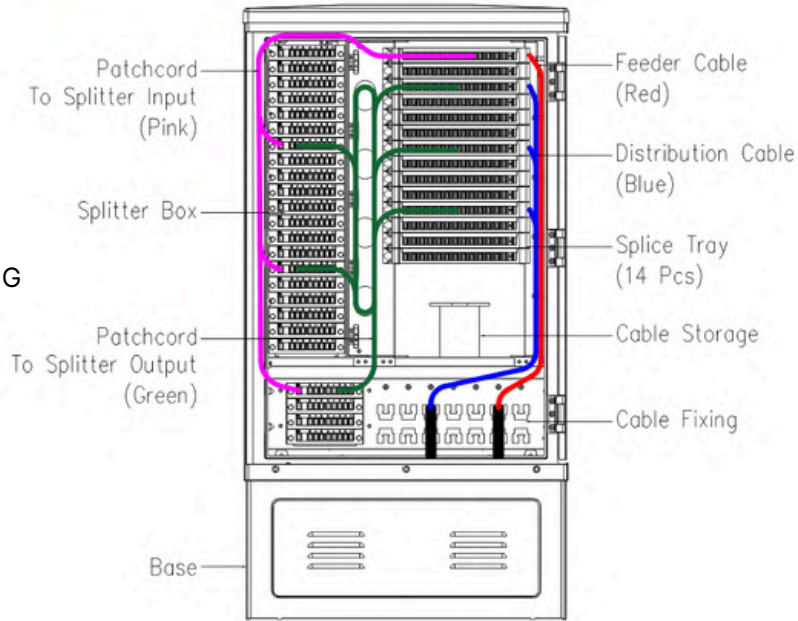
- ✓ FTTH Access Network
- ✓ Telecommunication Network
- ✓ Data Communications Network
- ✓ Local Area Networks
- ✓ Ground-mounted or Pole-mounted

CONFIGURATION TABLE

Model	BK-FDG-III-A
Installation Method	Ground-mounted
Protection Grade	IP65
Color	Gray (Default RAL 7035)
Shell Material	SMC
Structure Material	Stainless Steel
Number Of Splice Tray	14 PCS
Adaptor Type	SC
Number Of Adaptor Port	168 Ports
Splitter Type	Cassette Type
Splitter Capacity	24 Slots
Size:H×W×D (mm) (Pic 1)	1035×550×310

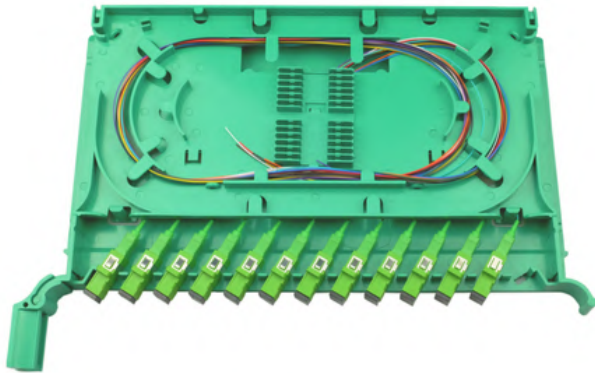
DRAWING

FIBER ROUTING



SPLICE TRAY

Used for splicing and termination of optical cables, capacity is 12 or 24 cores per tray



SPLITTER



WWW.BENKATECHNOLOGIES.COM



MORE PICTURES

WWW.BENKATECHNOLOGIES.COM

