

BK-FDG-II



DESCRIPTION

BenKa's BK-FDG-II Cabinet is designed to handle fiber optic cross-connects and accommodate passive optical splitters in PON FTTx networks.

It can also be used for bypass splicing applications or combinations of both.

The FDG is used as a demarcation point between the power supply network and the distribution network and provides quick and easy incremental installation of distribution cable terminations and fiber optic splitters.

It has the functions of fixing and protecting fiber cables, terminating optical cable functions, dividing a core fiber into multiple cores, and cross-connecting.

BenKa's BK-FDG-II Cabinet is used for connecting, allocating and dispatching optical communication cables to each optical distribution node, providing secure, reliable and flexible optical fiber and cable management equipment for telecommunications networks.

SPECIFICATION

- ✓ Anti-UV (Ultraviolet)
- ✓ Grounding device included
- ✓ Protection Class: IP65
- ✓ Flexible configuration changes

APPLICATIONS

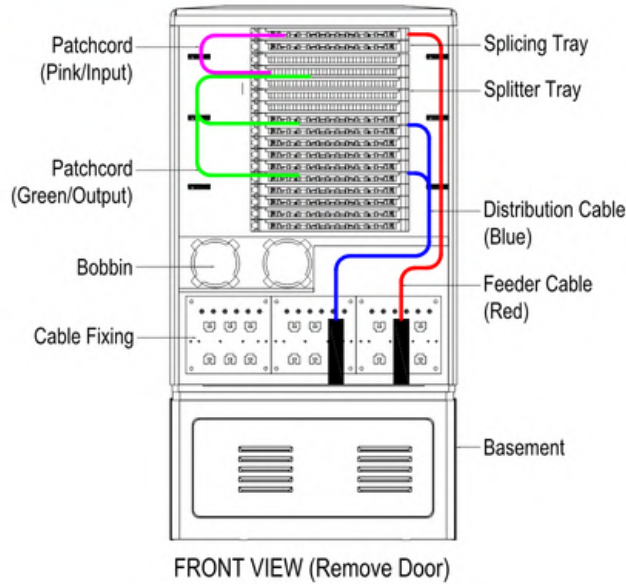
- ✓ FTTH Access Network
- ✓ Telecommunication Network
- ✓ Data Communications Network
- ✓ Local Area Networks
- ✓ Ground-mounted or Pole-mounted

CONFIGURATION TABLE

Model	BK-FDG-II		
Installation Method	Ground-mounted Or Pole-mounted(144 Only)		
Protection Grade	IP65		
Color	Gray (Default RAL 7035)		
Shell Material	SMC		
Structure material	Cold rolled steel & Stainless Steel		
Specification	144	384	576
Splice Tray Capacity(SC)	7	13	18
Splitter Tray Capacity(LC)	9	19	28
Patchcord Capacity(SC-LC)	135	285	420
Size: HxWxD (mm)	1035x550x310	1590x750x320	1450x750x540

DRAWING

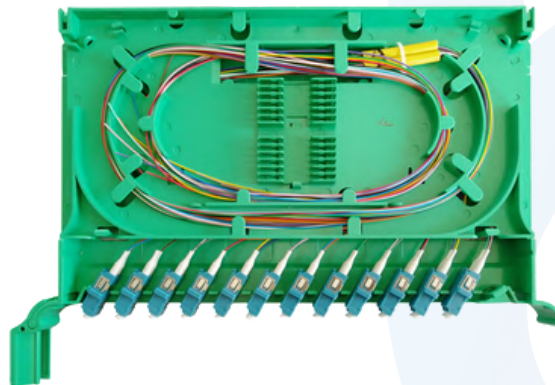
FIBER ROUTING



WWW.BENKATECHNOLOGIES.COM

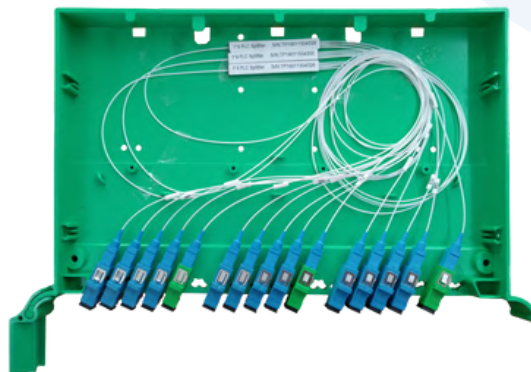
SPLICE TRAY

Used for splicing and termination of optical cables, capacity is 12 or 24 cores per tray, support adaptors installation of FC, SC, LC etc



SPLICE TRAY

Used for connection and fixing of splitters and adaptors, support adaptors installation of FC, SC, LC etc



MORE PICTURES

WWW.BENKATECHNOLOGIES.COM

